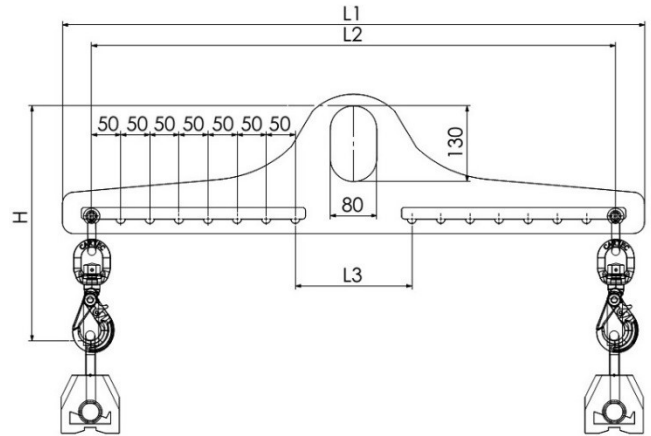
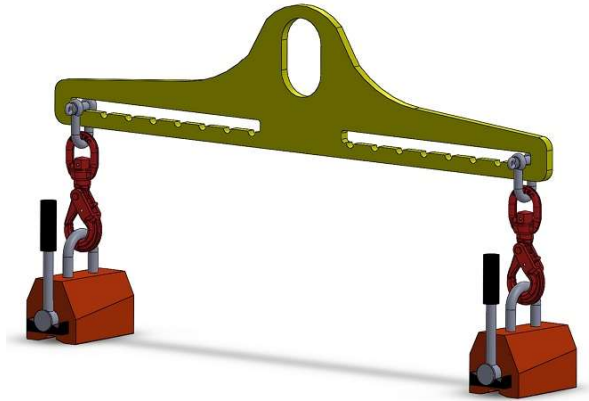


## BEAM WITH QUICK ADJUSTMENT

## SAV 531.99-PALORM

### Use :

For lifting and transporting flat or cylindrical loads up to 500 kg. Set equipped with 2 swivel hooks with 360° rotating latch to orient the magnets in the ideal position, particularly for handling tubes. Rapid magnet positioning systems, with indexing every 50 mm.



Type		PALORM-250/400	PALORM-250/600	PALORM-500/800	PALORM-500/1000
Ratde lifting capacity	kg	250	250	500	500
L1	mm	400	600	800	1000
L2	mm	300	500	700	900
L3	mm	150	150	200	200
H	mm	380	380	405	405
Weight	kg	6,5	8,0	9,5	11,0

Possibility to choose 2 model of lifting magnets 531.01-SAV or 531.01-M

Example of order: Beam with quick adjustment SAV 531.99 - PALORM-500/1000  
Designation SAV N° - Type

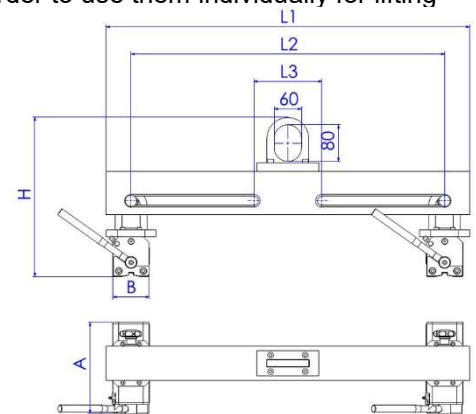
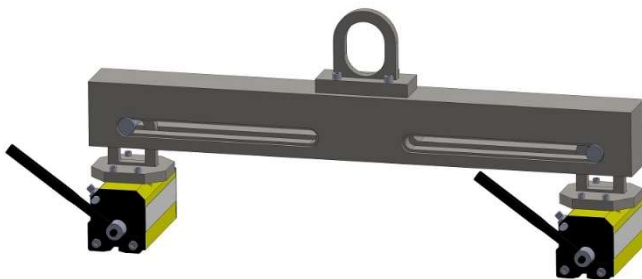
## BEAM WITH QUICK ADJUSTMENT

## SAV 531.99-PALOP

### Use :

For lifting and transporting loads up to 500kg. Set equipped with 2 magnets models 531.01-M. Very fast systems for positioning the magnets over the entire length of the lifting beam.

The lifting magnets can be removed very quickly from the lifting beam in order to use them individually for lifting sheets or tubes.



All dimensions on request.

Type		PALOP-165-400	PALOP-165-550	PALOP-165-650	PALOP-500-650	PALOP-500-800	PALOP-500-1000
Rated lifting capacity	kg	165	165	165	500	500	500
A	mm	130	130	130	200	200	200
B	mm	75	75	75	80	80	80
H	mm	280	280	280	345	345	345
L1	mm	400	550	650	650	800	1000
L2	mm	330	480	580	690	690	690
L3	mm	120	120	120	150	150	150
Weight	kg	18,0	21,0	23,0	48,0	53,0	60,0

Example of order: Beam for magnets SAV 531.99 - PALOP-500-800  
Designation SAV N° - Type