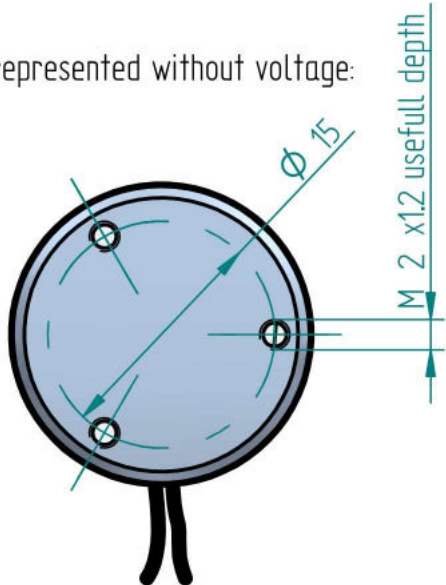
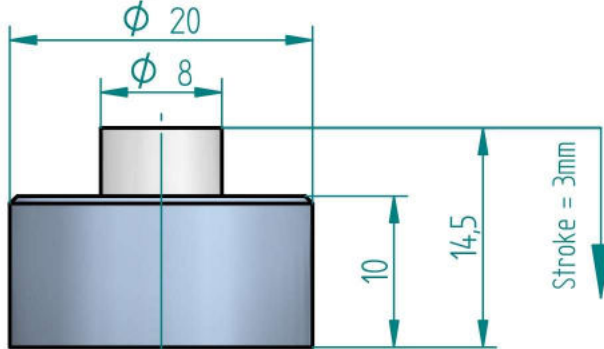


Revisions			
Rev	Description	Date	Approved

Solenoid represented without voltage:

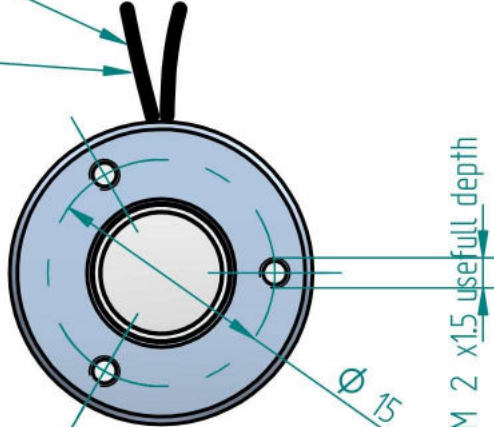


Protection rate: IP40
 Thermal class: B (130°C)
 Stroke: 3mm
 Available voltage: 6, 12, 24VDC
 Duty cycle: 25%
 Power: 5W



Supply cables output

2 cables:
 AWG25
 Length= 800mm



Passive security

	Name	Date			
Drawn					
Checked					
Approved			Title		
Coating			Simple effect linear electric bolt		
Unless otherwise indications dimensions on millimeters, angles in degrees, tolerances ±0,1 y ±10' Beveled edge 0,3x45° Rugosity: Ra1,6			A4	241.53.2010-12-25	Rev
			Material:		
			Scale 2:1	Weight 0.018 Kg	Sheet 1 of 1